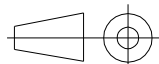
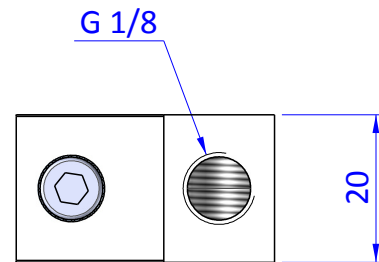
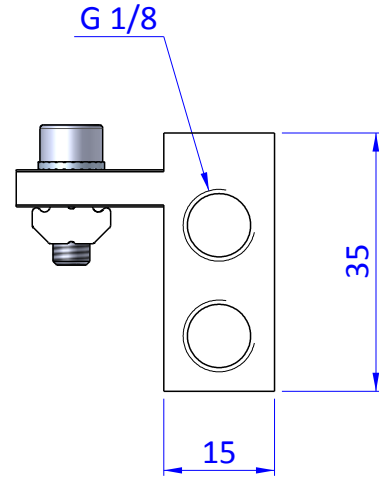
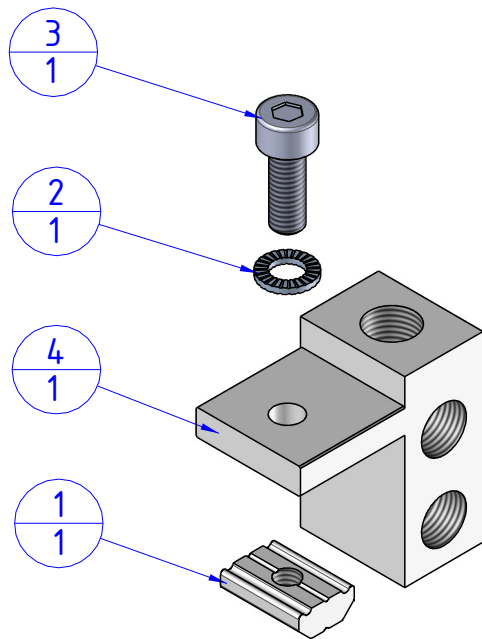


THE PROPERTY OF THE DRAWING IS ESTABLISHED BY LAW. IT IS FORBIDDEN TO PRODUCE OR SHOW IT TO THIRD PART. WITHOUT A WRITTEN AGREEMENT.

Item	Name	Q.ty
1	CA.GWP.5U	1
2	R.5.SCH	1
3	V.TCE5x14	1
4	VTB.X.141818	1



DESIGNED FROM <b>FPS Automation</b>		REVIEW <b>A</b>
DATE <b>28/05/2019</b>	WEIGHT <b>0,034kg</b>	
CODE <b>CA.VTB.X.141818</b>		

Format **A4**  
UNI 936-76

GENERAL TOLERANCE  
UNI - ISO 2768  
CLASSE f

DESCRIPTION  
**CA.VTB.X.141818**